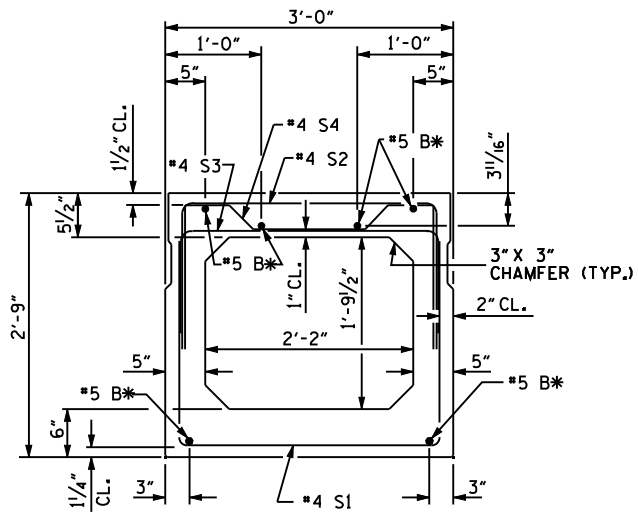


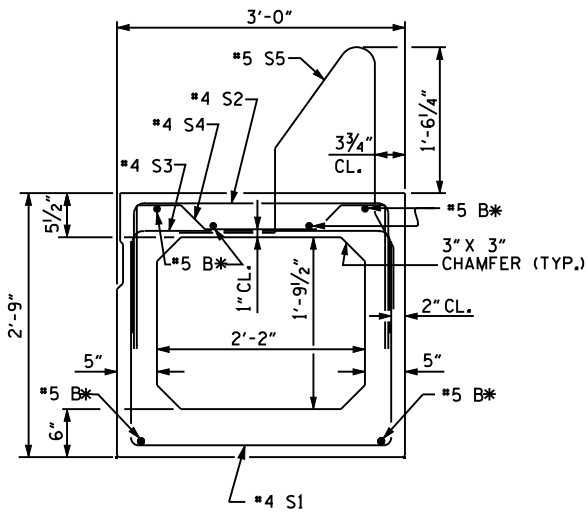
END ELEVATION

SHOWING PLACEMENT OF #5 & #4 "A" BARS AND LOCATION OF DOWEL HOLES. (INTERIOR BOX BEAM SECTION SHOWN-EXTERIOR SECTION SIMILAR EXCEPT SHEAR KEY LOCATION. STRAND LAYOUT NOT SHOWN.)



INTERIOR BOX BEAM SECTION

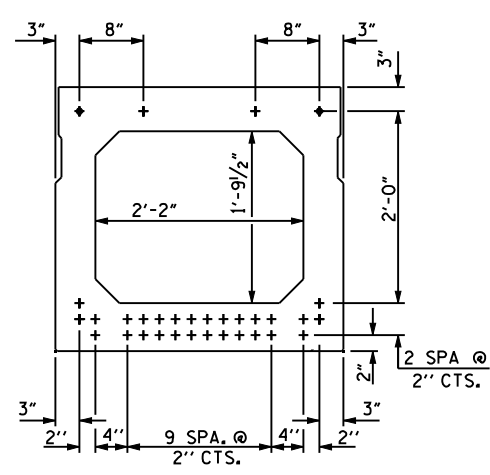
(STRAND LAYOUT NOT SHOWN)



EXTERIOR BOX BEAM SECTION

(STRAND LAYOUT NOT SHOWN)

0.6" Ø LOW RELAXATION STRAND LAYOUT



TYPICAL STRAND LOCATION

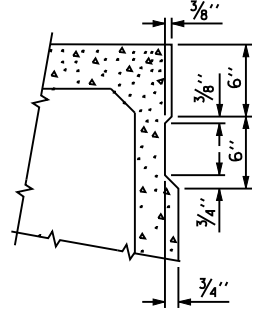
(* STRANDS REQUIRED)
(INTERIOR BOX BEAM SECTION SHOWN-EXTERIOR SECTION SIMILAR EXCEPT SHEAR KEY LOCATION)

DEBONDING LEGEND

● FULLY BONDED STRANDS

GRADE 270 STRANDS

0.6" Ø L.R.	
AREA (SQUARE INCHES)	0.217
ULTIMATE STRENGTH (LBS. PER STRAND)	58,600
APPLIED PRESTRESS (LBS. PER STRAND)	43,950



SHEAR KEY DETAIL

NOTE: OMIT SHEAR KEY ON OUTSIDE FACE OF EXTERIOR BOX BEAMS.

DELETE IF NOT REQUIRED

END VIEW

(SHOWING #4 "S" BARS IN END OF BEAM)

DELETE IF NOT REQUIRED

DETAIL "B"

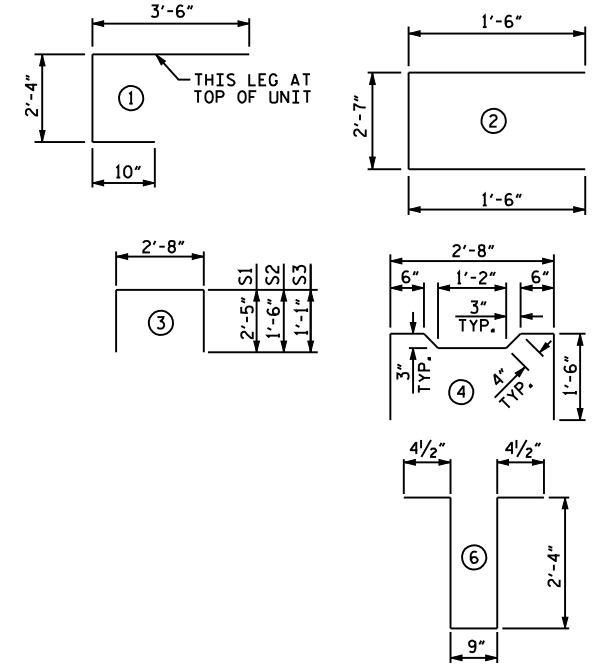
EXTERIOR UNIT SHOWN, INTERIOR UNIT SIMILAR EXCEPT OMIT #5 S5 BARS. "B" BARS AND "A" BARS NOT SHOWN.

USE FOR SKEWS UNDER 75° OR OVER 105°

CHAMFER DETAIL

SHOWING 6" VOID CHAMFER

BAR TYPES



ALL BAR DIMENSIONS ARE OUT TO OUT

BILL OF MATERIAL FOR ONE BOX BEAM SECTION

BAR	NUMBER	SIZE	TYPE	EXTERIOR UNIT		INTERIOR UNIT	
				LENGTH	WEIGHT	LENGTH	WEIGHT
A1	10	#5	1	6'-8"	70	6'-8"	70
A2		#4	2	5'-7"		5'-7"	
B*		#5	STR				
K1		#4	6	6'-2"		6'-2"	
K2		#4	STR	2'-7"		2'-7"	
S1		#4	3	7'-6"		7'-6"	
S2		#4	3	5'-8"		5'-8"	
S3		#4	3	4'-10"		4'-10"	
S4		#4	4	5'-10"		5'-10"	
* S5		#5	5			--	--

REINFORCING STEEL	LBS.	LBS.
* EPOXY COATED REINF. STEEL	LBS.	
--- P.S.I. CONCRETE	CU. YDS.	CU. YDS.
0.6" Ø L.R. STRANDS	No.	No.

ASSEMBLED BY :	DATE :
CHECKED BY :	DATE :
DRAWN BY : TLA 5/05	ADDED 7/11/05
CHECKED BY : GM 6/05	REV. 5/1/06 TLA/GM

EXTERIOR UNIT SHOWN, INTERIOR UNIT SIMILAR EXCEPT OMIT #5 S5 BARS. FOR LOCATION OF DIAPHRAGMS, SEE PLAN OF SPANS. FOR REINFORCING STEEL IN DIAPHRAGMS, SEE DIAPHRAGM DETAILS.

PROJECT NO. _____
 _____ COUNTY
 STATION: _____
 SHEET _ OF _

STATE OF NORTH CAROLINA
 DEPARTMENT OF TRANSPORTATION
 RALEIGH
 STANDARD
 3'-0" X 2'-9"
 PRESTRESSED CONCRETE
 BOX BEAM UNIT
 SPAN " _ "

REVISIONS						SHEET NO.
NO.	BYs	DATEs	NO.	BYs	DATEs	TOTAL SHEETS
1			3			
2			4			